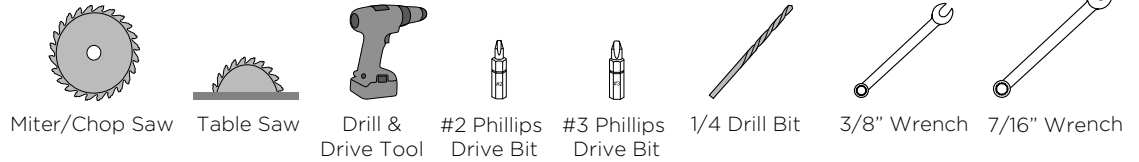


Please read all instructions completely before starting any part of the installation.

- Each AZEK Bench and Planter Kit comes complete with all hardware, fasteners and installation guide to build one complete unit (i.e. AZEK Deck Boards must be purchased separately). Check the enclosed Hardware and Parts List to ensure that each kit is complete.
- The AZEK Bench and Planter Kits are two separate products that can be used together to build a "straight bench" (i.e. 2 planters and 1 bench) or a "corner bench" (i.e. 3 planters and 2 benches).
- Both the AZEK Bench and Planter Kits should be installed in accordance with the installation guidelines included below. AZEK Building Products Inc. accepts no liability or responsibility for the improper installation of this product.
- The AZEK Bench and Planter Kits are designed to be used with AZEK Deck boards which measure 1" Thick x 5.5" Wide. AZEK Planter is designed to be built to the size for which it is manufactured and should not be altered in any way. AZEK Bench is 6FT at full length or adjustable down to 4 FT. A fully assembled "straight bench" can hold up to 750 LBS.
- AZEK Bench and Planter Kits may not be suitable for every application and it is the sole responsibility of the installer to be sure that each Kit is used for its intended purpose. Since all installations are unique, it is also the installer's responsibility to determine specific requirements in regards to each AZEK Bench or Planter application.
- AZEK Building Products recommends that all applications be reviewed by a licensed architect, engineer, or local building official before installation. Check local code requirements prior to installation. If you have any questions or need further assistance, please call AZEK Customer Service at 877-ASK-AZEK (877-275-2935) or visit our website at www.azek.com.
- **IMPORTANT:** Make sure the DRIVE TOOL/DRILL is configured or set to use the SCREW setting when driving and/or tightening all FASTENERS. Since most screws are designed to seat within the cellular PVC substrate, BE VERY CAREFUL NOT TO OVER DRIVE, as this may loosen the screw's holding power.
- **SAFETY:** Always wear goggles when handling, cutting, drilling and fastening materials.
- **WARNING:** Bench cannot hold more than 750 LBS.

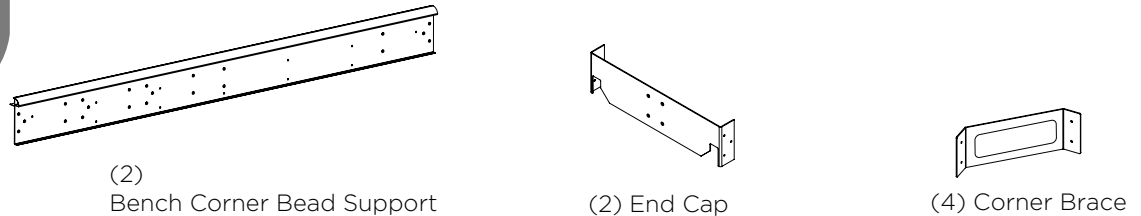
Tools Required



Bench Hardware



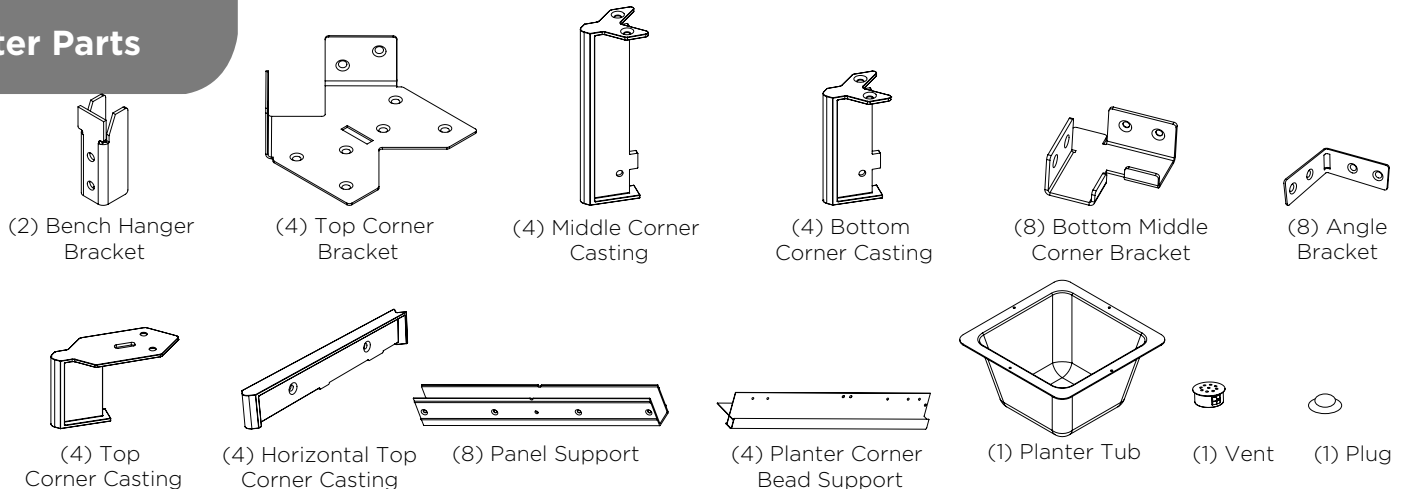
Bench Parts



Planter Hardware

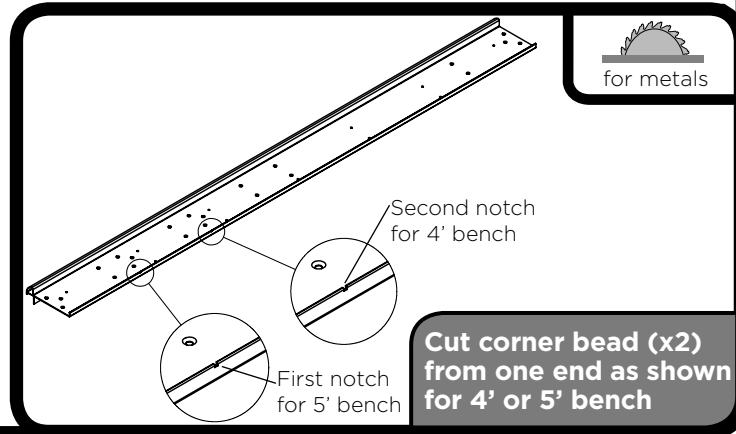
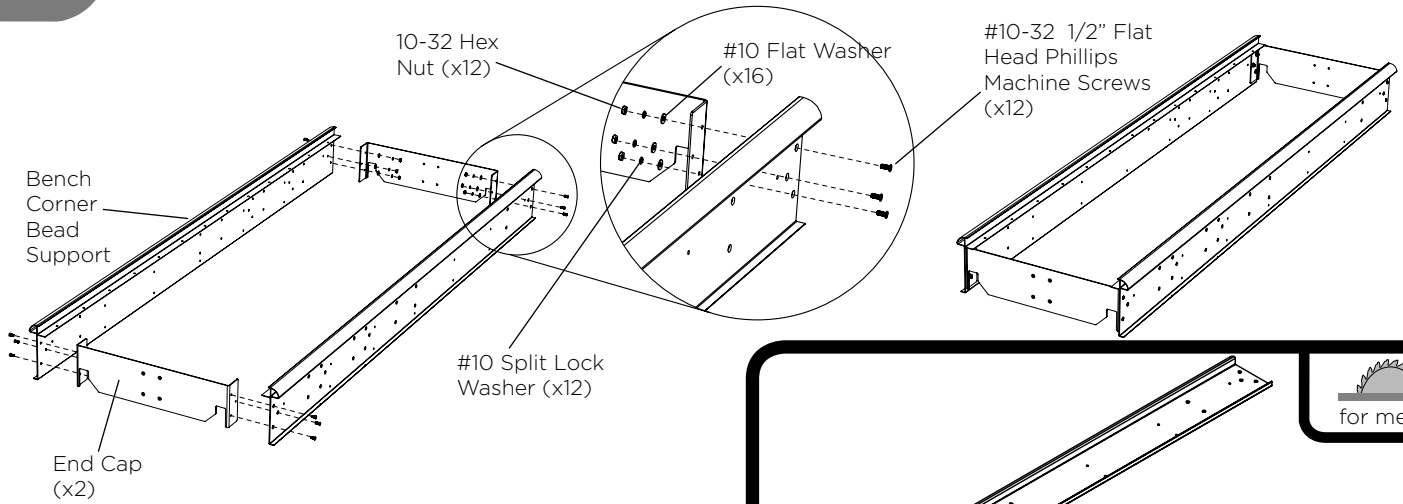


Planter Parts



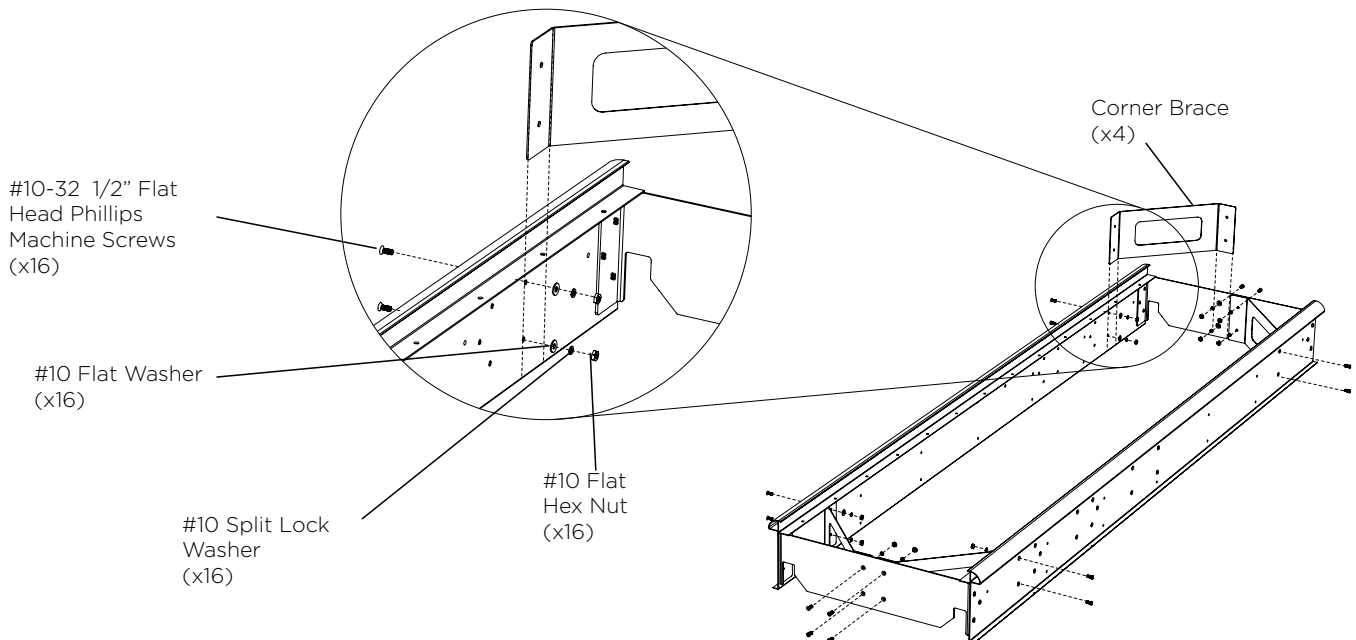
**Bench
1**

Assemble End Caps & Center Bracket



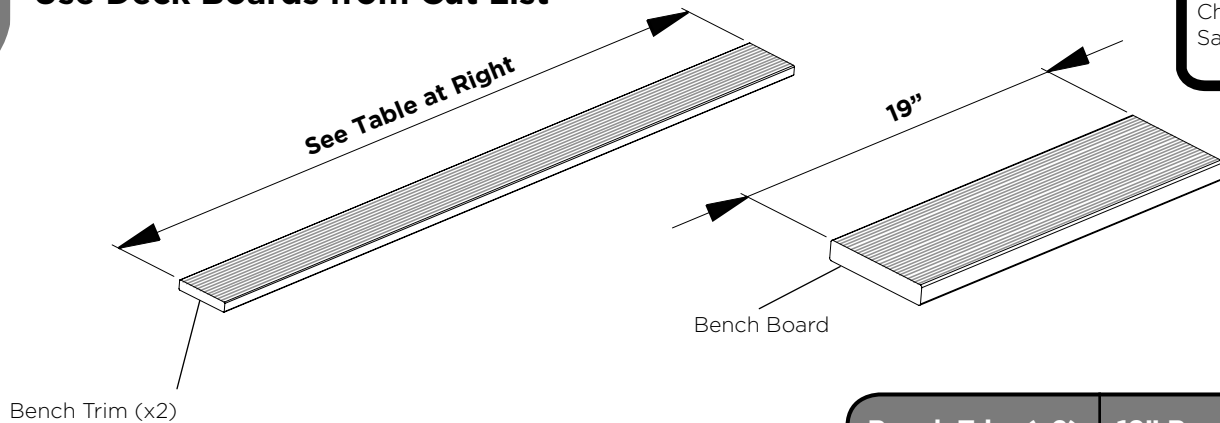
**Bench
2**

Assemble Corner Brace



Bench 3

Use Deck Boards from Cut List



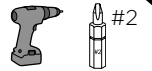
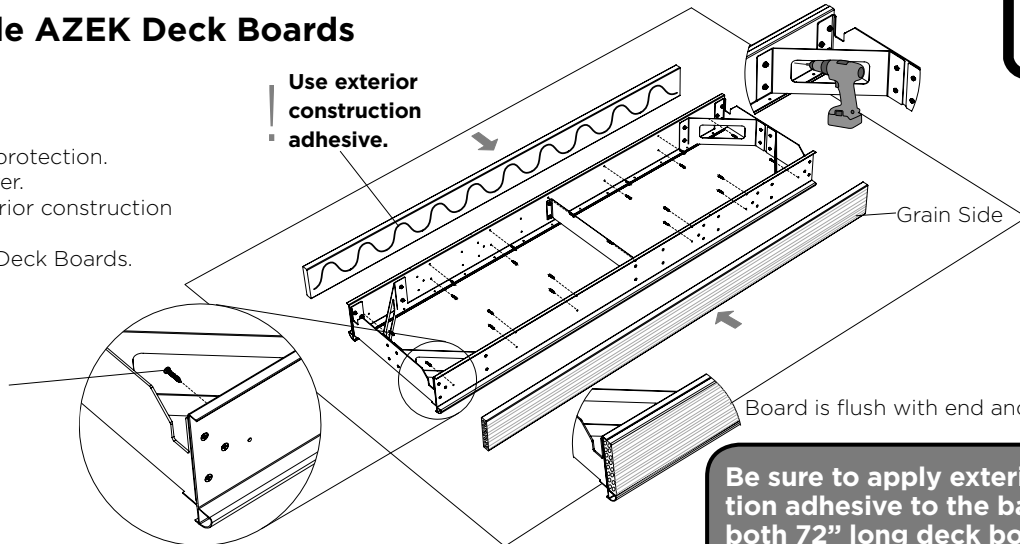
Bench Trim (x2)			19" Bench Boards		
6'	5'	4'	6'	5'	4'
72"	61"	50"	(x13)	(x11)	(x9)

Bench 4

Assemble AZEK Deck Boards

1. Lay down protection.
2. Flip unit over.
3. Apply exterior construction adhesive.
4. Assemble Deck Boards.

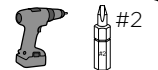
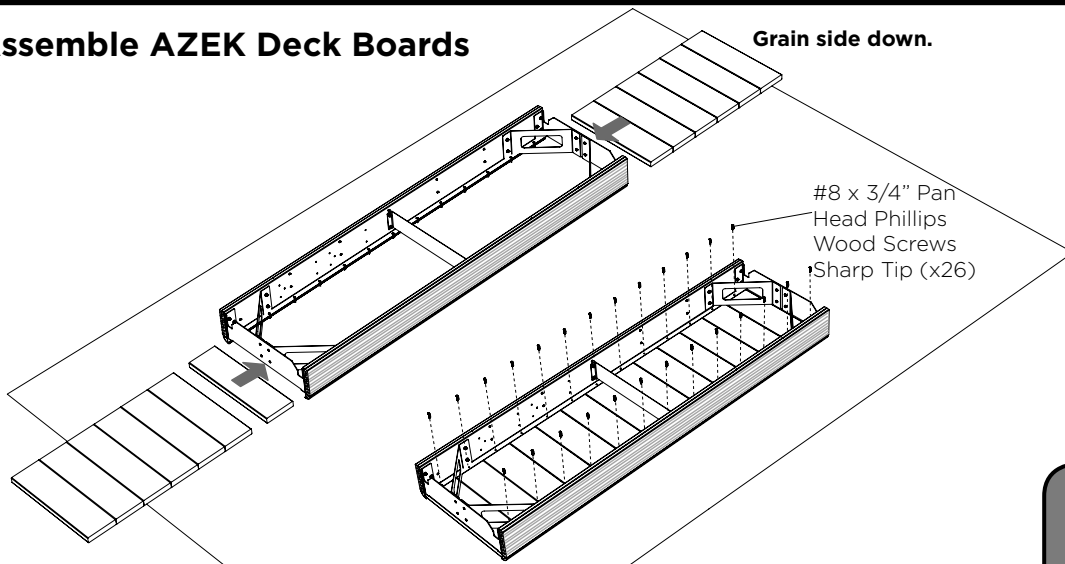
#8 x 3/4" Pan Head Phillips Wood Screws Sharp Tip (x36)



Be sure to apply exterior construction adhesive to the back side of both 72" long deck boards.

Bench 5

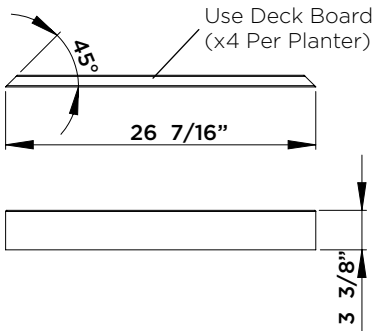
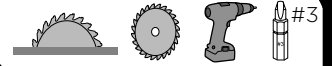
Assemble AZEK Deck Boards



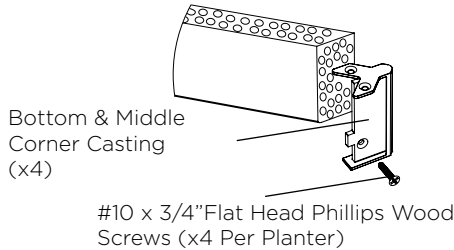
Adjust spacing approx. 1/32"

Planter 1

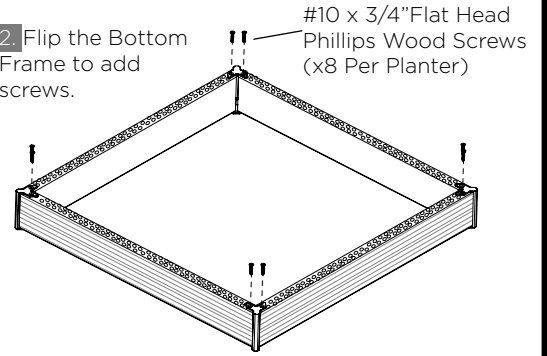
Assemble Bottom Frame



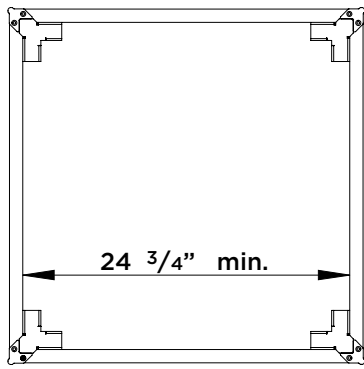
1. Attach Bottom & Middle Corner Casting to one end of each deck board.



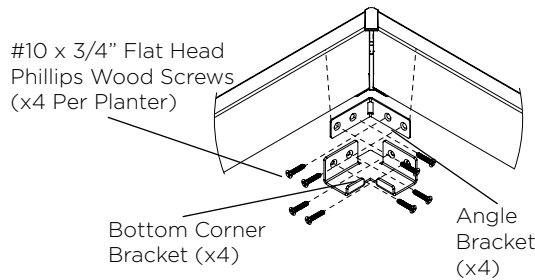
2. Flip the Bottom Frame to add screws.



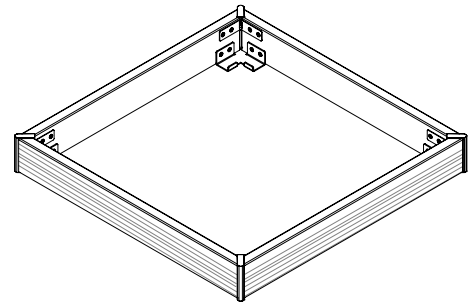
Flip Bottom Frame to add fasteners in next step.



3. Add Angle Bracket and Bottom Corner Bracket.



4. The Bottom Frame is now complete.

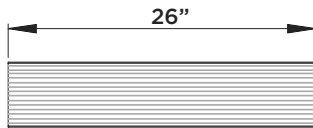


Planter 2

Assemble Planter Sides (x4 Per Planter)

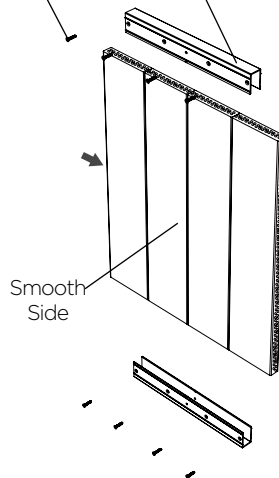


1. Use Deck Board from cut list. (x16 Per Planter)

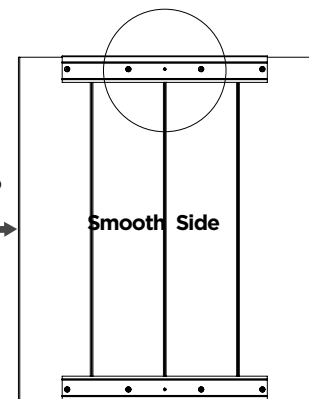
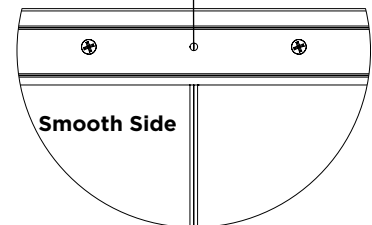


Panel Support (x8 Per Planter)

#10 3/4 inch Flat Head Phillips Wood Screws (x32 Per Planter)

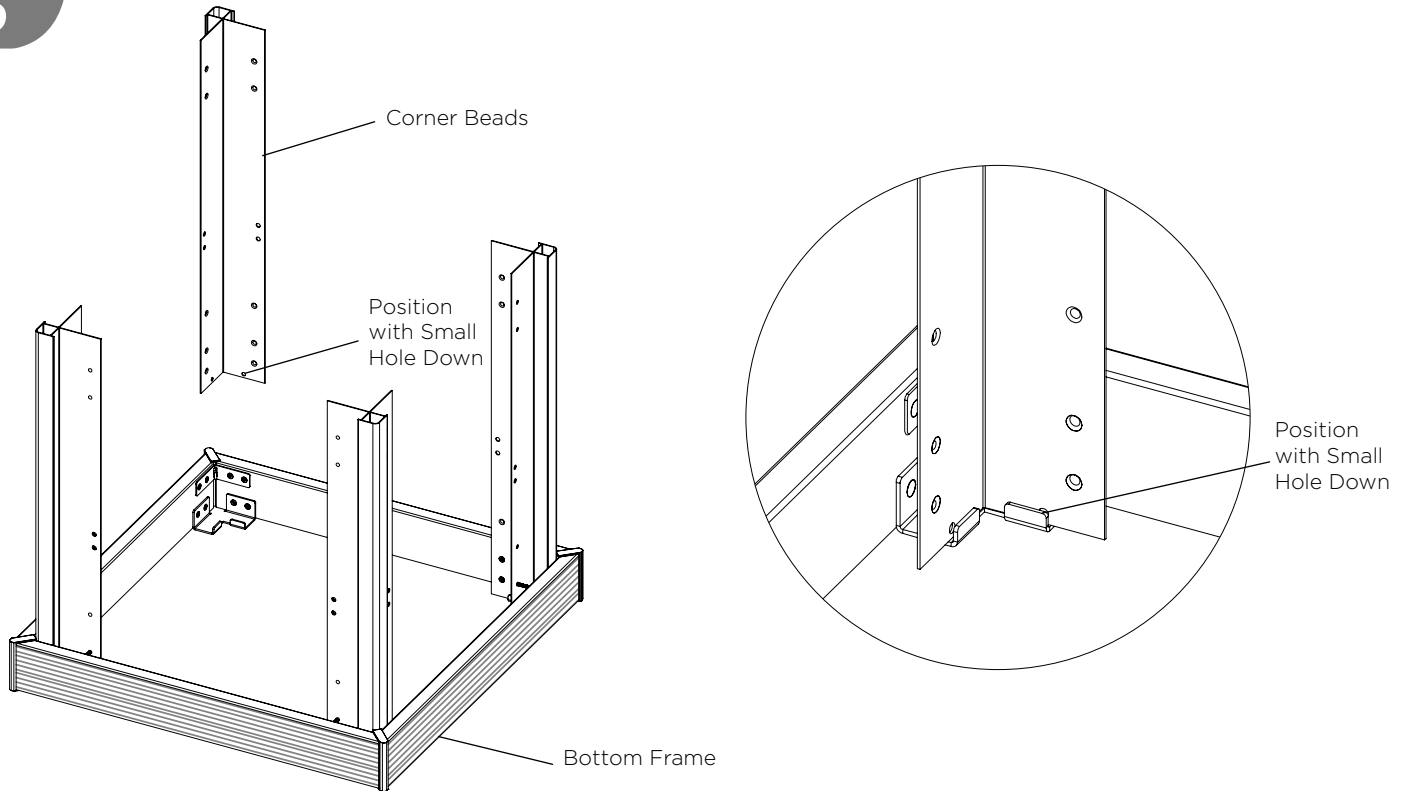


Center Boards with Respect to thru hole

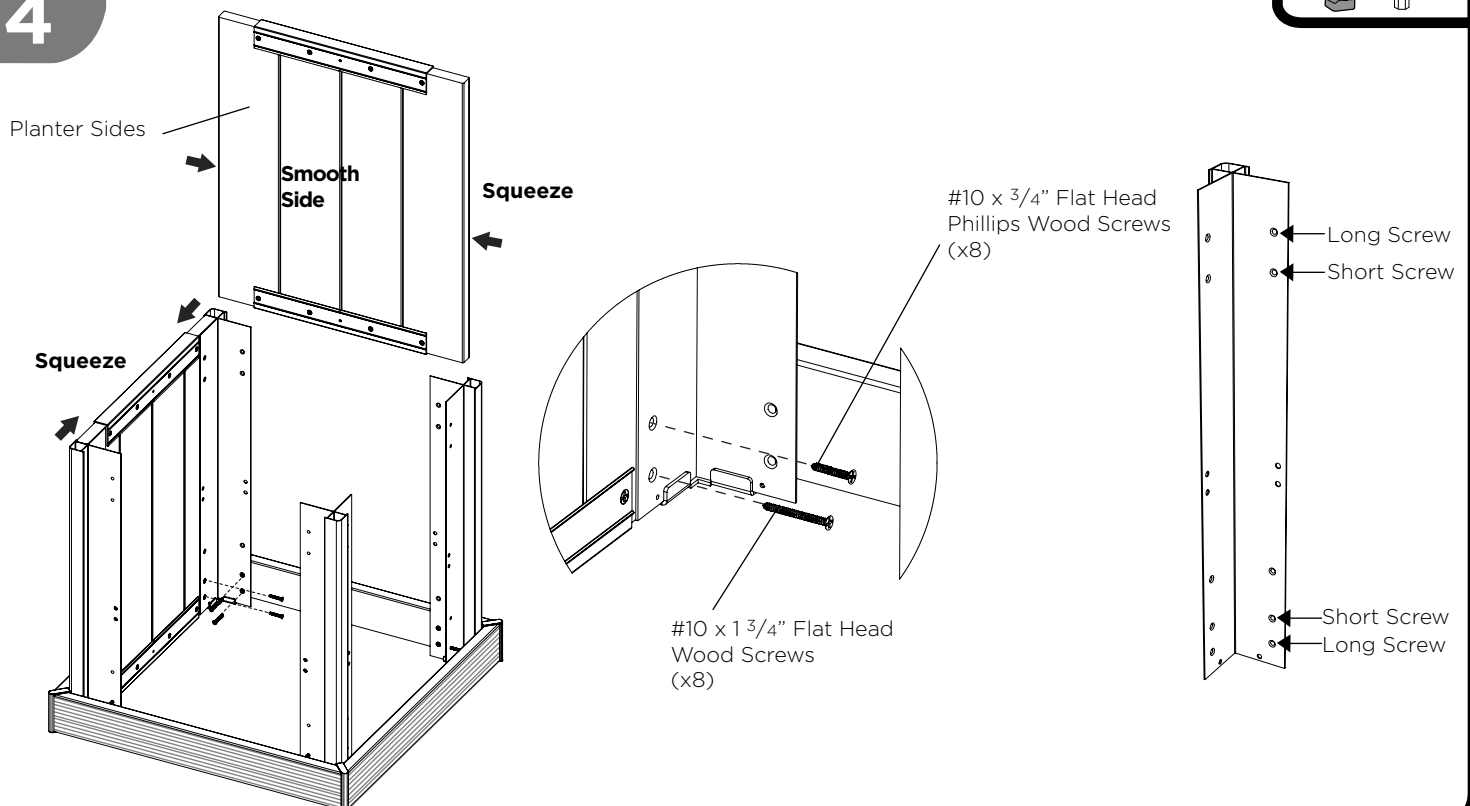
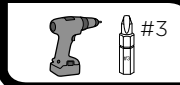


Screws fastened from smooth side of deck board.

Planter 3
Assemble Planter Corner Beads (x4)

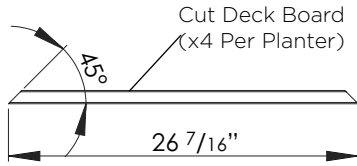
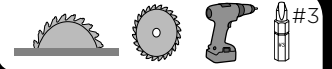


Planter 4
Assemble Planter Sides (x4)

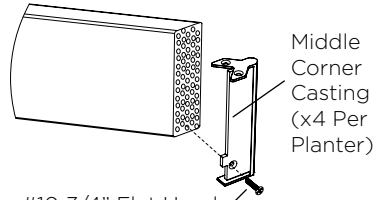


Planter 5

Assemble Middle Frame

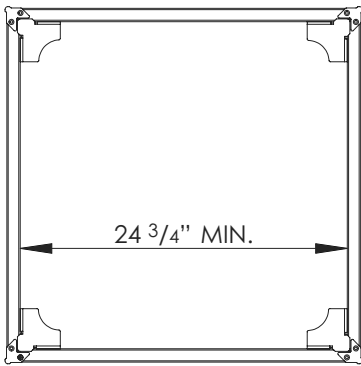
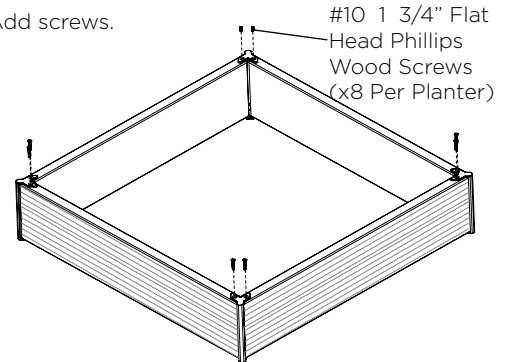


1. Attach Bottom & Middle Corner Casting to one end of each deck board.

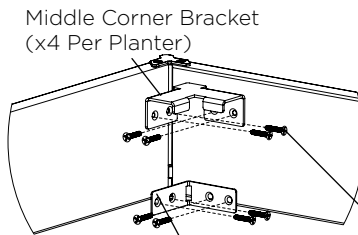


#10 3/4" Flat Head Phillips Wood Screws (x4 Per Planter)

2. Add screws.

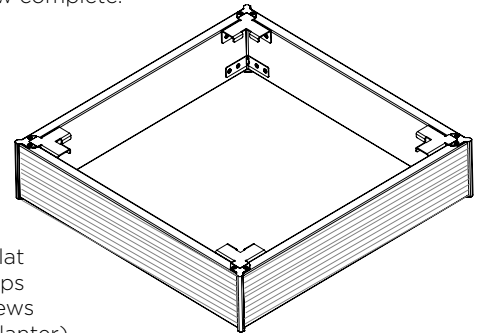


3. Add Middle Corner Bracket and Angle Bracket.



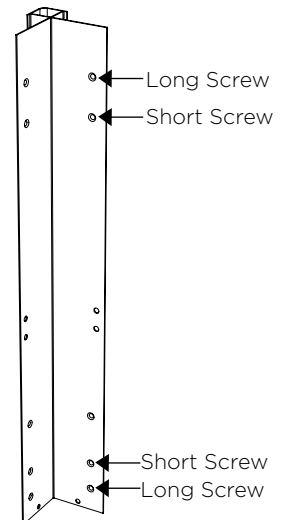
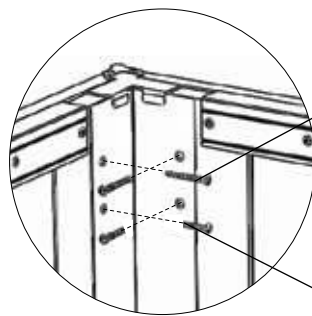
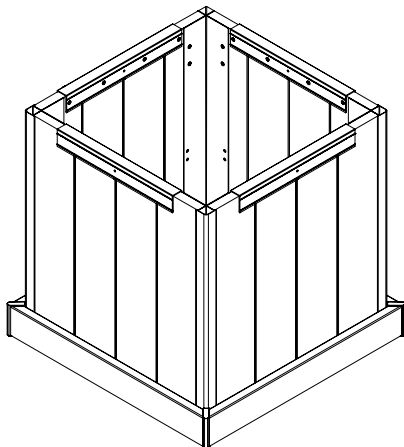
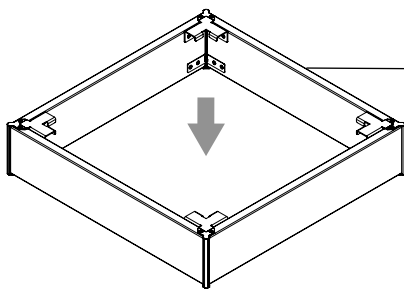
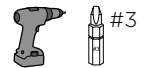
Angle Bracket (x4)

4. The Middle Frame is now complete.



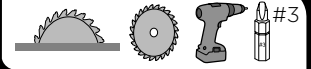
Planter 6

Assemble Middle Frame onto Planter

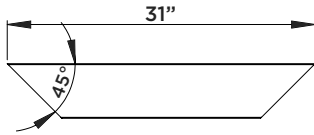


Planter 7

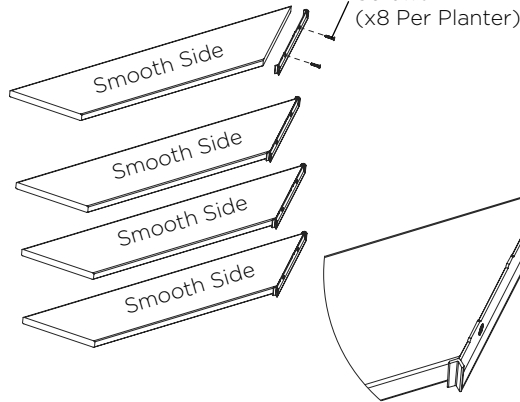
Prepare to Assemble Top Frame



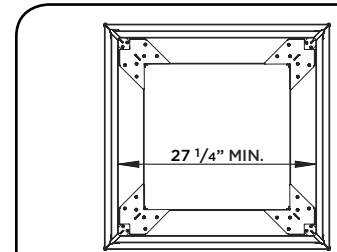
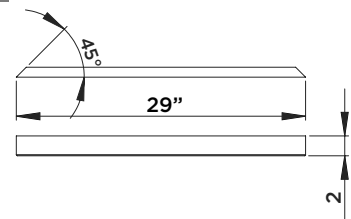
1. Cut Deck Boards (x4 Per Planter)



2. Assemble Horizontal Top Corner Casting (x4 Per Planter)

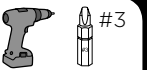


3. Cut Deck Boards (x4 Per Planter)



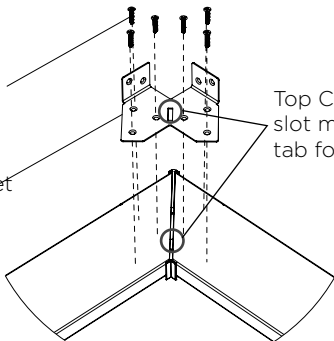
Planter 8

Assemble Top Frame



#10 x 3/4" Flat Head Phillips Wood Screw (x48 per planter Top Frame)

Top Corner Bracket (x4 per planter)

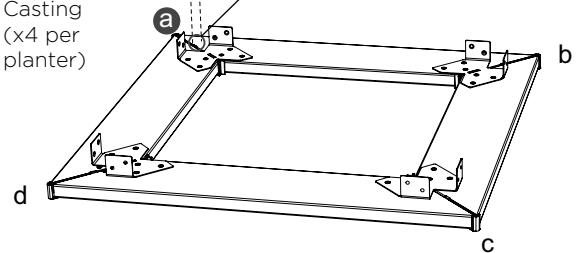


1. Assemble all Top Corner Brackets. (x4 Per Planter)

#10 x 3/4" Flat Head Phillips Wood Screw

Top Corner Casting (x4 per planter)

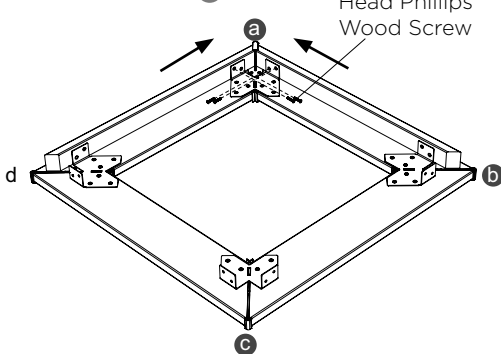
Top Corner Casting slot must align with tab for all corners.



2. Assemble Top Corner Casting in corner a.

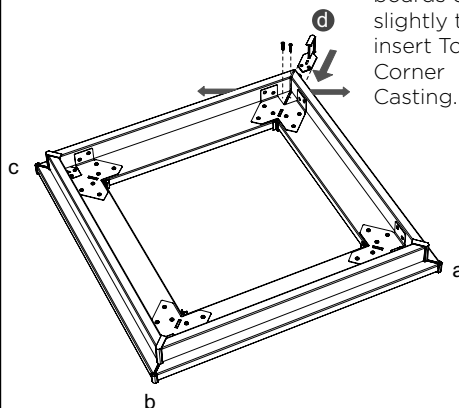
3.1. Assemble Deck Boards into Top Corner Casting in corner a.

#10 x 3/4" Flat Head Phillips Wood Screw

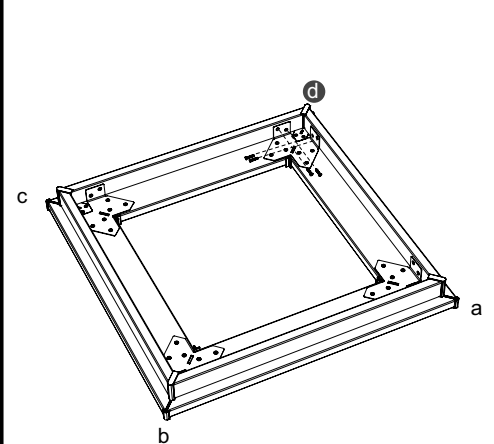


3.2. Fasten screws. Ensure boards fit well into casting when tightening screws.

Flex deck boards out slightly to insert Top Corner Casting.



4. Insert final Top Corner Casting into corner d.

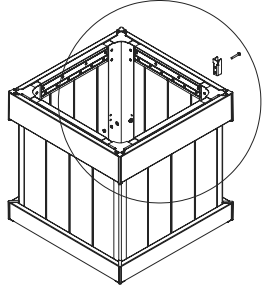
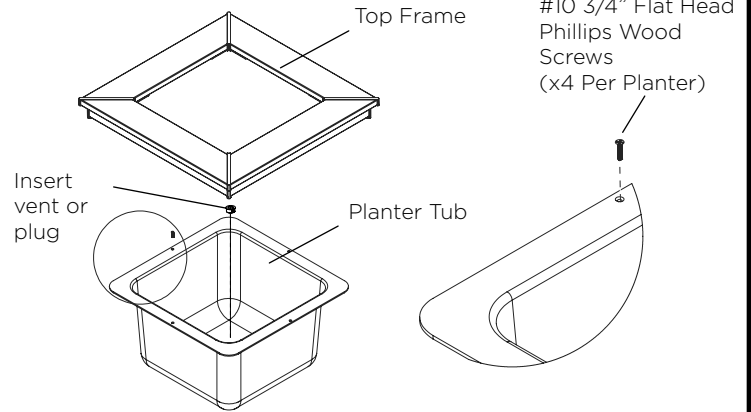
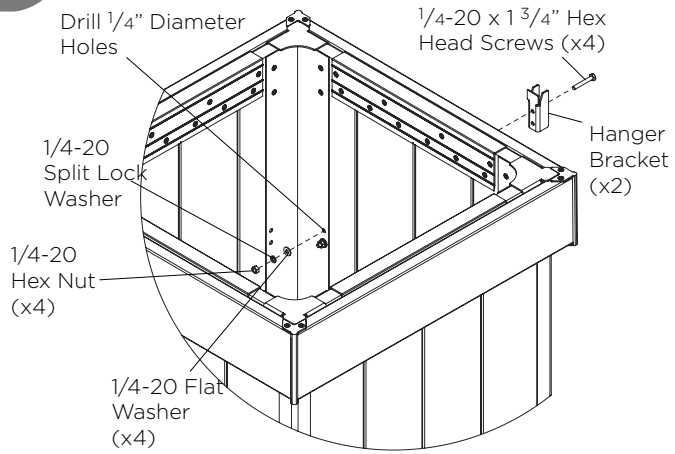
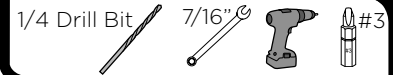


5. Fasten final screws into Top Corner Bracket in corner d.

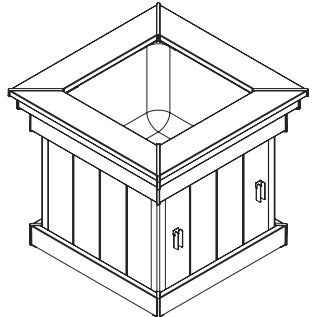
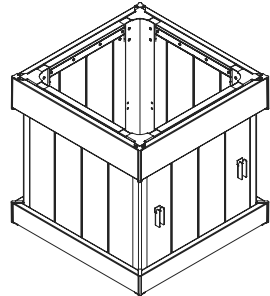
Repeat steps 2, 3.1, and 3.2 for corners b and c before moving to step 4.

**Planter
9**

**Assemble Bench Hanger Brackets (x2 Per Planter)
Then Assemble Planter Tub and Top Frame**



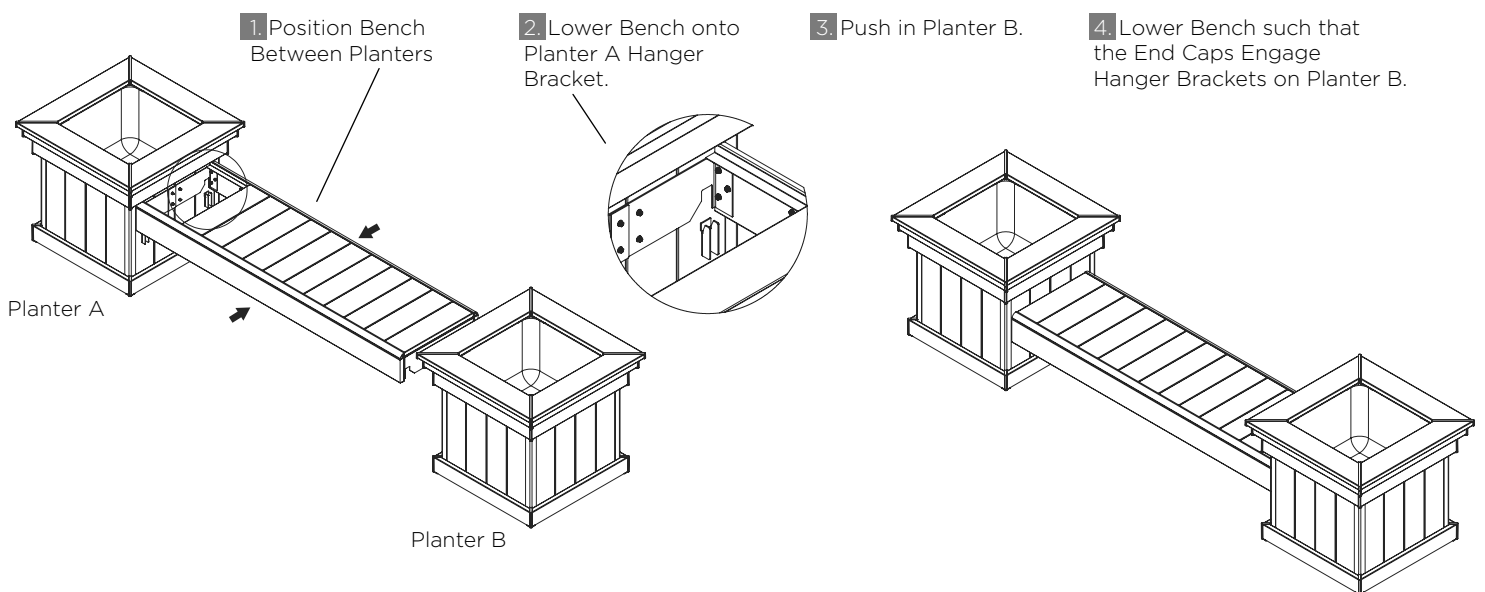
! Omit Hanger Brackets if only building Planter.



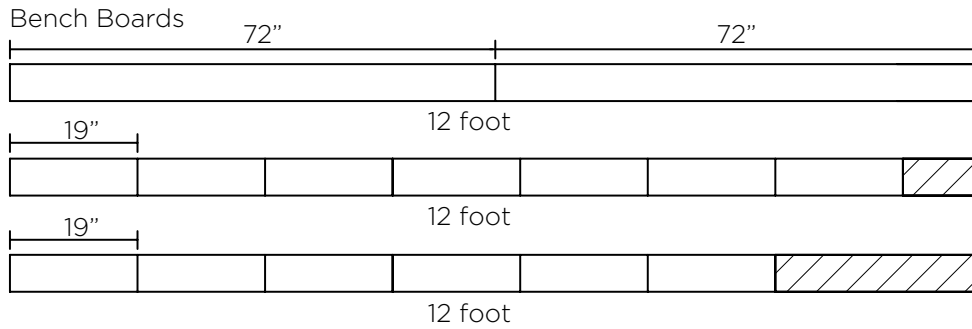
**Final
Step**

Assemble Bench and Planters

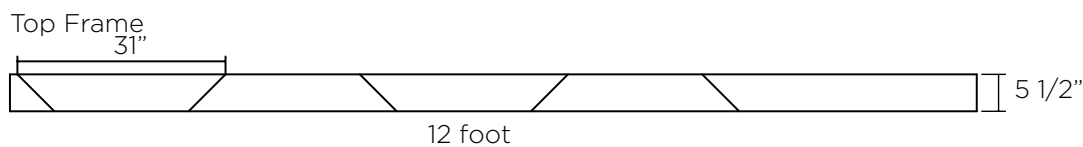
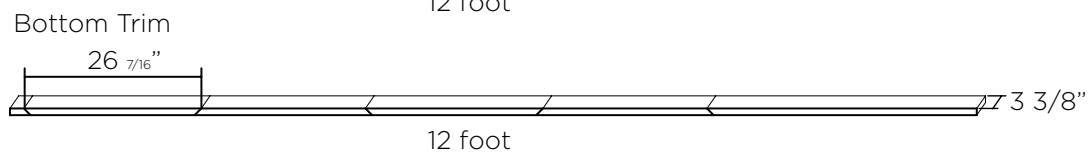
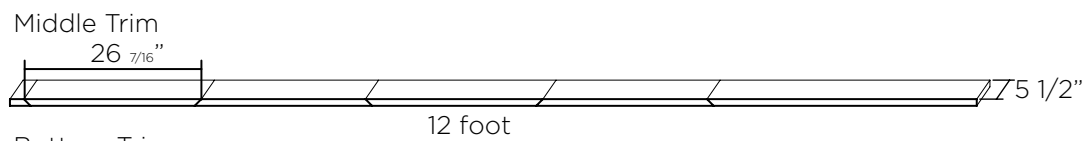
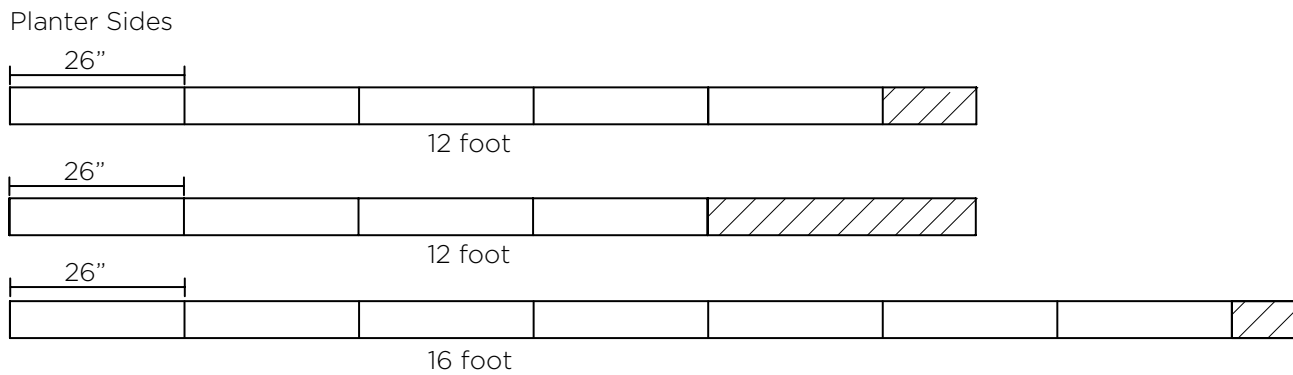
**2 People
Required**



Master Cut List



Stock Boards
1/4" - 1/2" Strong



This page intentionally left blank.